

Century
SELF LOCKTM
Glazing System

PATENTED WORLDWIDE



MULTI LAMINATED
GLAZING

SOUND PROOF
GLAZING

SELF-LOCK **DOUBLE PRO**



The World's Best
Selflock Glazing System

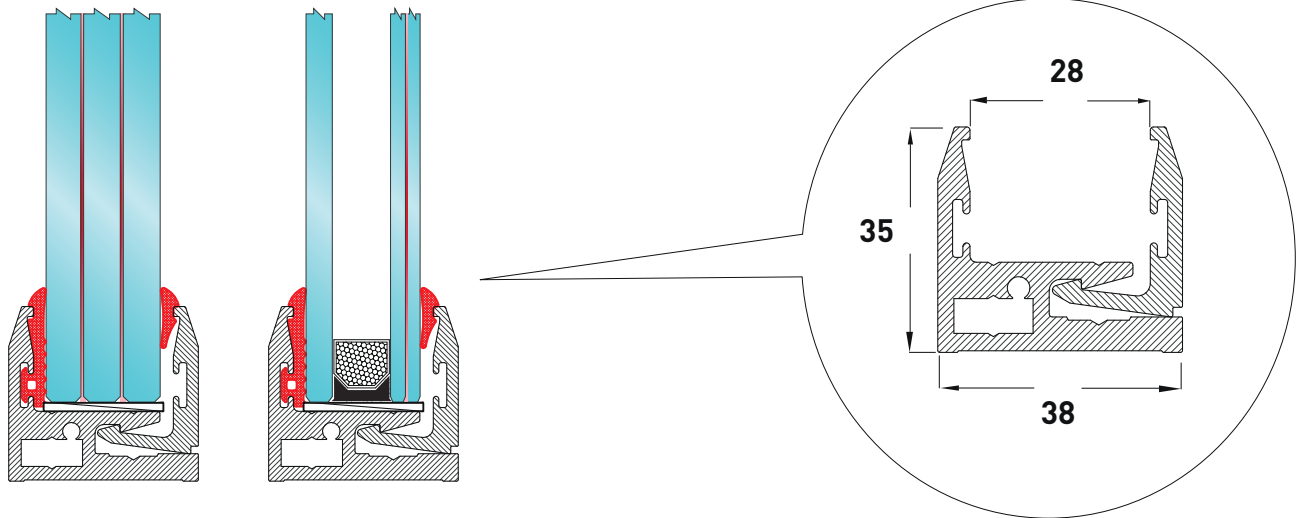
EP 1 651 838 B1

TECHNICAL INFO FOLDER

SELF-LOCK DOUBLE PRO

SELF-LOCK DOUBLE PRO - MILL FINISH

3M LENGTH - PART NO. 968.280.001



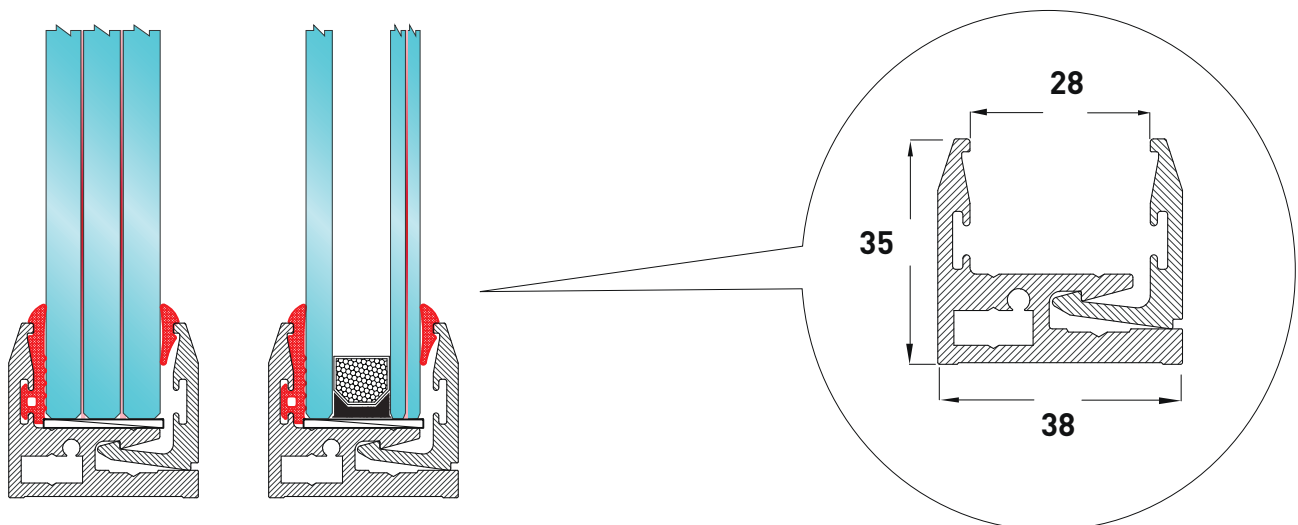
EPDM Contour: 500.300.001

EPDM Lock: Glass 24mm: 500.279.004 / Glass 22mm: 500.279.002 / Glass 20mm: 500.279.001

End Cap: Part No: 600.200.002

SELF-LOCK DOUBLE PRO - ANODISED

3M LENGTH - PART NO. 968.280.002



EPDM Contour: 500.300.001

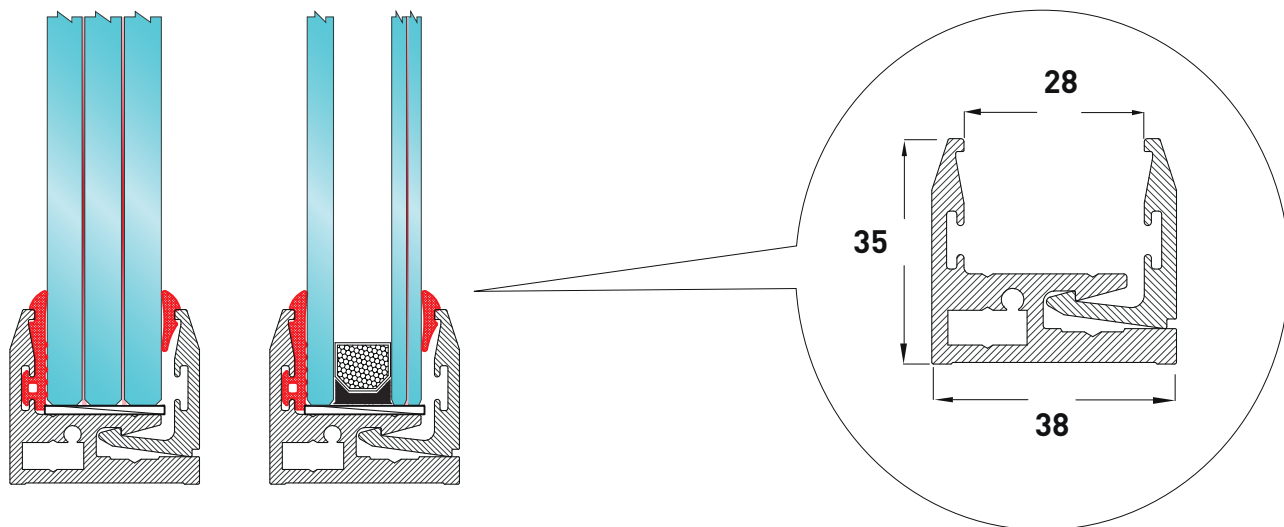
EPDM Lock: Glass 24mm: 500.279.004 / Glass 22mm: 500.279.002 / Glass 20mm: 500.279.001

End Cap: Part No: 600.200.002

SELF-LOCK DOUBLE PRO

SELF-LOCK DOUBLE PRO - MILL FINISH

5.8M LENGTH - PART NO. 968.280.011



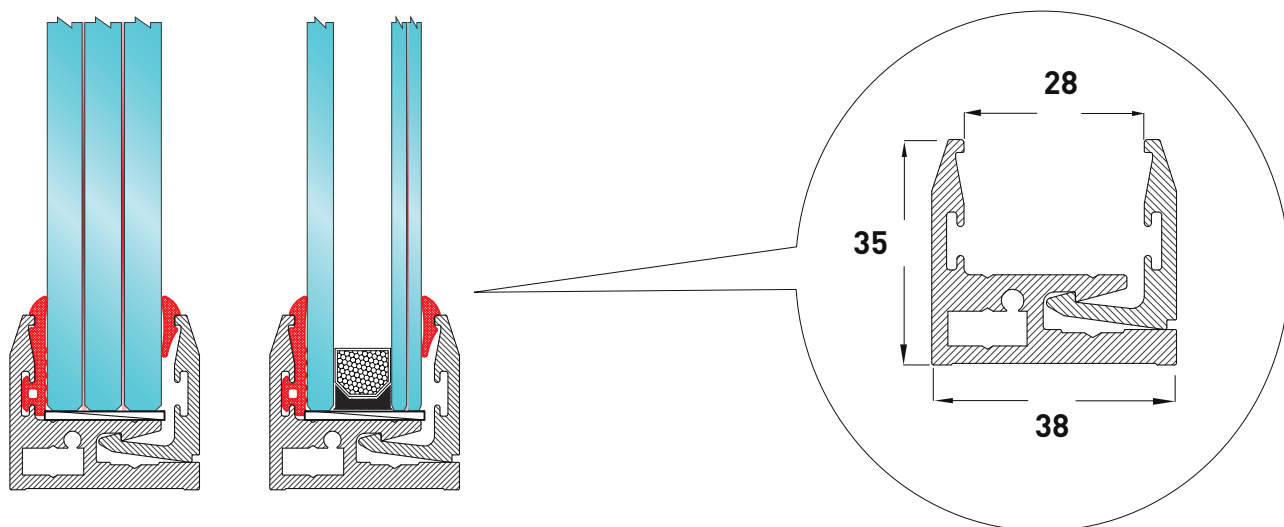
EPDM Contour: 500.300.001

EPDM Lock: Glass 24mm: 500.279.004 / Glass 22mm: 500.279.002 / Glass 20mm: 500.279.001

End Cap: Part No: 600.200.002

SELF-LOCK DOUBLE PRO - ANODISED

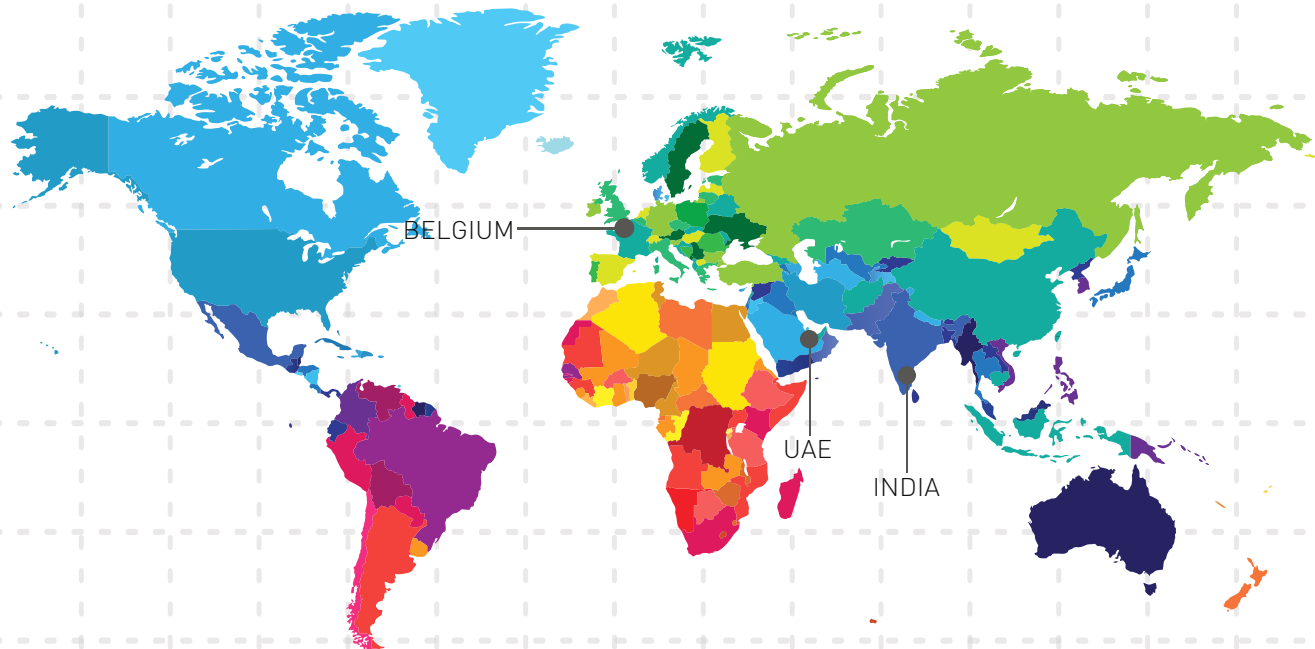
5.8M LENGTH - PART NO. 968.280.012



EPDM Contour: 500.300.001

EPDM Lock: Glass 24mm: 500.279.004 / Glass 22mm: 500.279.002 / Glass 20mm: 500.279.001

End Cap: Part No: 600.200.002



SELFLOCK DOUBLE PRO APPLICATIONS

**LAMINATED DOUBLE GLAZING FOR SOUND PROOF
FAST INSTALLATION OF MULTI LAMINATED GLAZING
FOR BULLET PROOF & BURGLAR PROOF**

SALES AND DISTRIBUTION

SELFLOCK SYSTEMS NV
Oude Desselgemstraat, 32
B-8790 Waregem – Belgium – www.selflocksistemas.com