



URKUNDE

Es wird hiermit bescheinigt, dass für die in der Patentschrift beschriebene Erfindung ein europäisches Patent für die in der Patentschrift bezeichneten Vertragsstaaten erteilt worden ist.

CERTIFICATE

It is hereby certified that a European patent has been granted in respect of the invention described in the patent specification for the Contracting States designated in the specification.

CERTIFICAT

Il est certifié qu'un brevet européen a été délivré pour l'invention décrite dans le fascicule de brevet, pour les Etats contractants désignés dans le fascicule de brevet.

Europäisches Patent Nr.

European patent No.

Brevet européen n°

1651838

Patentinhaber

Proprietor of the patent

Titulaire du brevet

CENTURY GLASS L.L.C.
P.O. Box 52496
Dubai/AE

Benoît Battistelli

Präsident des Europäischen Patentamts
President of the European Patent Office
Président de l'Office européen des brevets

München, den
Munich,
Fait à Munich, le

20.04.11

WOKU...L

(19)



(11)

EP 1 651 838 B1

(12)

EUROPEAN PATENT SPECIFICATION

(45) Date of publication and mention of the grant of the patent:
20.04.2011 Bulletin 2011/16

(51) Int Cl.:
E06B 3/58 (2006.01)

(21) Application number: **04743959.1**

(86) International application number:
PCT/IB2004/002298

(22) Date of filing: **15.07.2004**

(87) International publication number:
WO 2005/010310 (03.02.2005 Gazette 2005/05)

(54) GLAZING SYSTEM

VERGLASUNGSSYSTEM

SYSTEME DE VITRAGE

(84) Designated Contracting States:
AT BE BG CH CY CZ DE DK EE ES FI FR GB GR HU IE IT LI LU MC NL PL PT RO SE SI SK TR

(72) Inventor: **ABDUL LATHIEF, Arakkal, Abdul, Khader Dubai (AE)**

(30) Priority: **30.07.2003 AE 2422003**

(74) Representative: **Kandlbinder, Markus Christian et al
Zeitler - Volpert - Kandlbinder
Patentanwälte
Herrnstrasse 44
80539 München (DE)**

(43) Date of publication of application:
03.05.2006 Bulletin 2006/18

(73) Proprietor: **CENTURY GLASS L.L.C.
Dubai (AE)**

(56) References cited:
**DE-A1- 2 614 803 GB-A- 2 237 600
JP-A- 10 184 208 JP-A- 11 256 942**

EP 1 651 838 B1

Note: Within nine months of the publication of the mention of the grant of the European patent in the European Patent Bulletin, any person may give notice to the European Patent Office of opposition to that patent, in accordance with the Implementing Regulations. Notice of opposition shall not be deemed to have been filed until the opposition fee has been paid. (Art. 99(1) European Patent Convention).

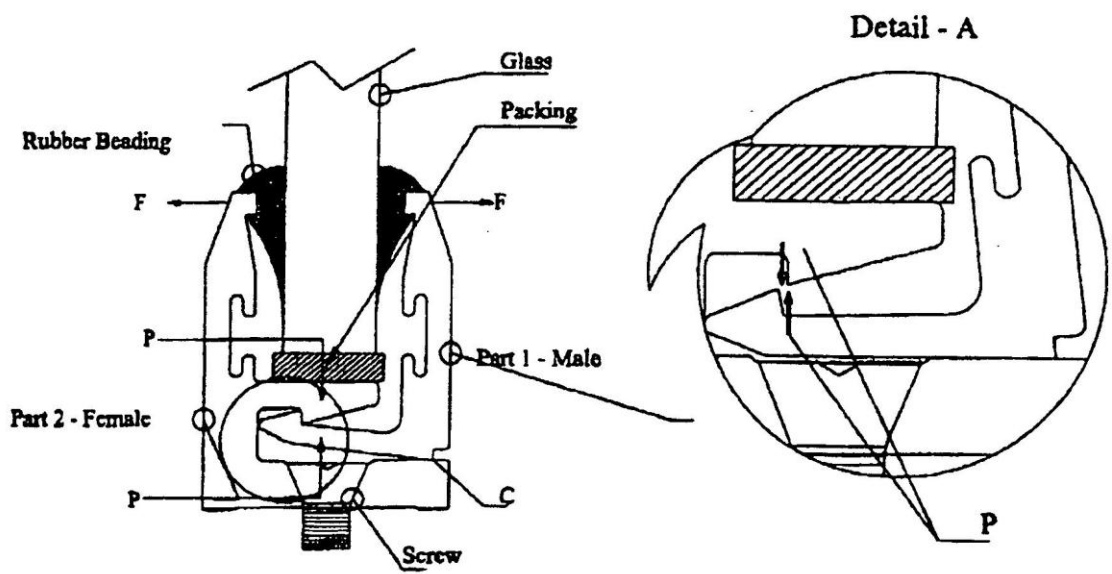


Fig. 8