

THE REGISTRY OF PATENTS
SINGAPORE

THE PATENTS ACT
(CHAPTER 221)

CERTIFICATE OF GRANT OF PATENT

In accordance with section 35 of the Patents Act, it is hereby certified that a patent having the P-No. 119483 [WO/2005/010310] has been granted in respect of an invention having the following particulars:

Title : GLAZING SYSTEM

Application Number : 200600622-5

Date of Filing : 15 July 2004

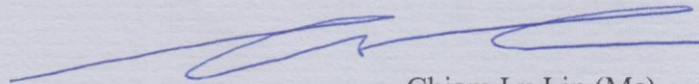
Priority Data : 30 July 2003 - PATENT APPLICATION NO.
242/2003 (UNITED ARAB EMIRATES)

Name of Inventor(s) : ABDUL LATHIEF, ARAKKAL, ABDUL, KHADER

Name(s) and Address(es) of Proprietor(s) of Patent : CENTURY GLASS L.L.C.
P.O. BOX 52496,
DUBAI
UNITED ARAB EMIRATES

Date of Grant : 31 August 2007

Dated this 31st day of August 2007



Chiam Lu Lin (Ms)
Deputy Registrar of Patents,
Singapore.



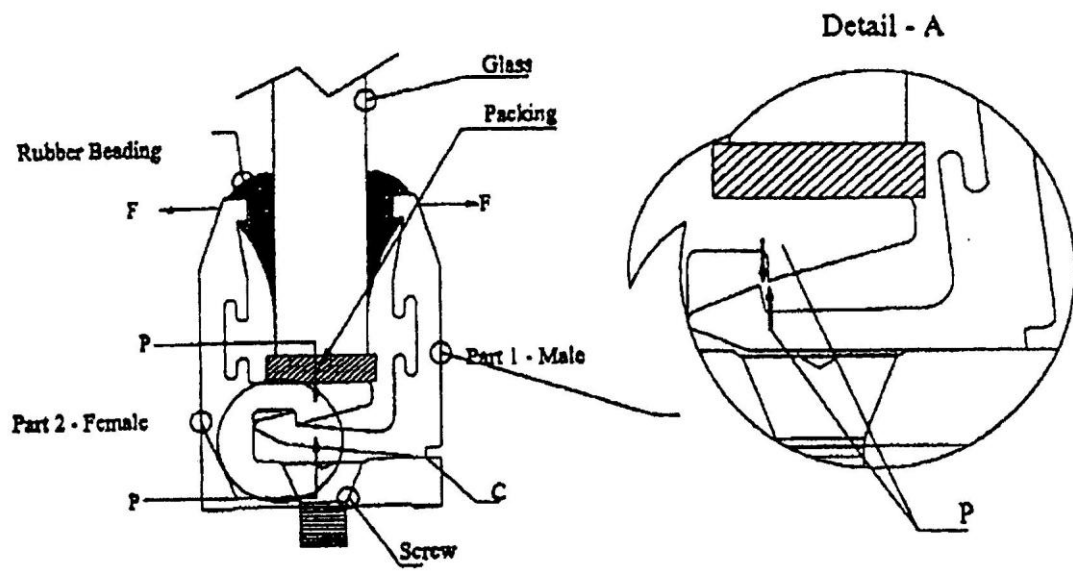


Fig. 8