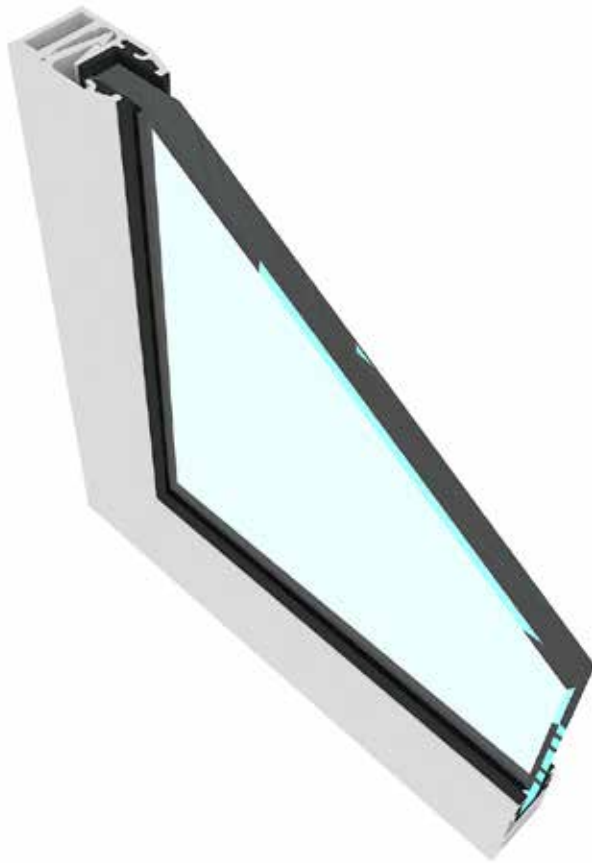




PATENTED WORLDWIDE



# SELF-LOCK LITE PRO

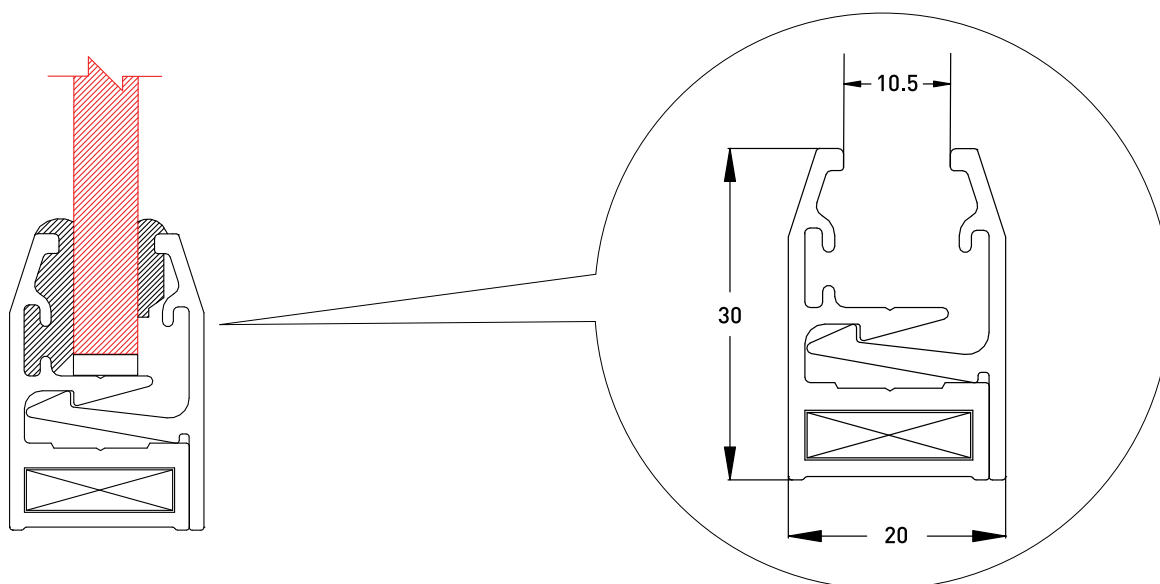
## The World's Best Selflock Glazing System



# SELF-LOCK LITE PRO

## SELF-LOCK LITE PRO – MILL FINISH

3M LENGTH - PART NO. 712.527.001



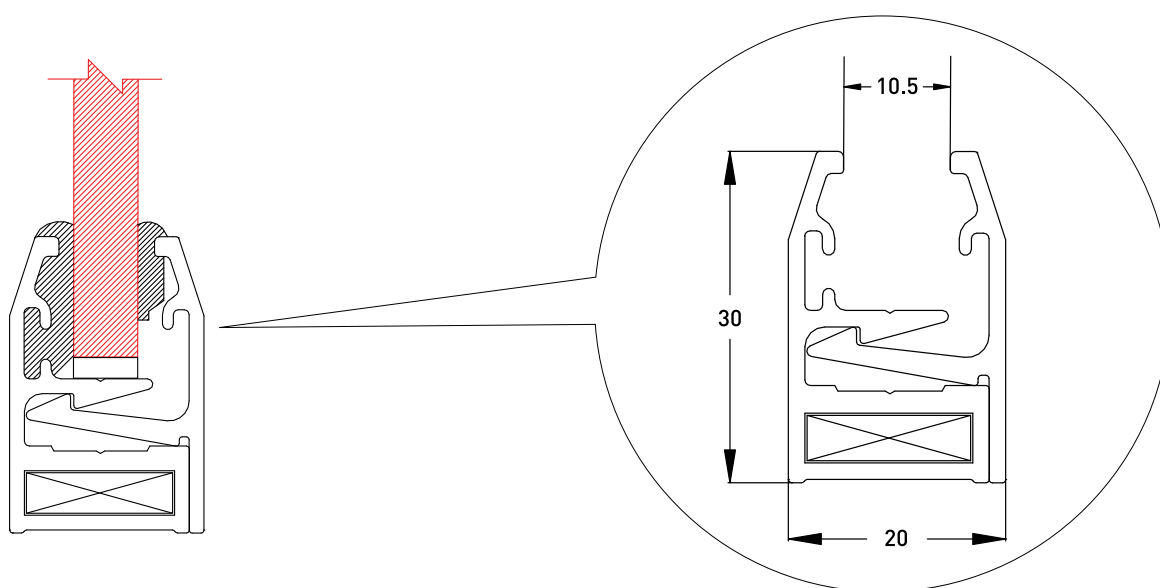
Matching EPDM Contour: **500.300.002**

Matching EPDM Lock: **Glass 6mm: 500.279.005 / No other glass thickness**

Matching end cap: **No end cap available**

## SELF-LOCK LITE PRO – ANODISED

3M LENGTH - PART NO. 712.527.002



Matching EPDM Contour: **500.300.002**

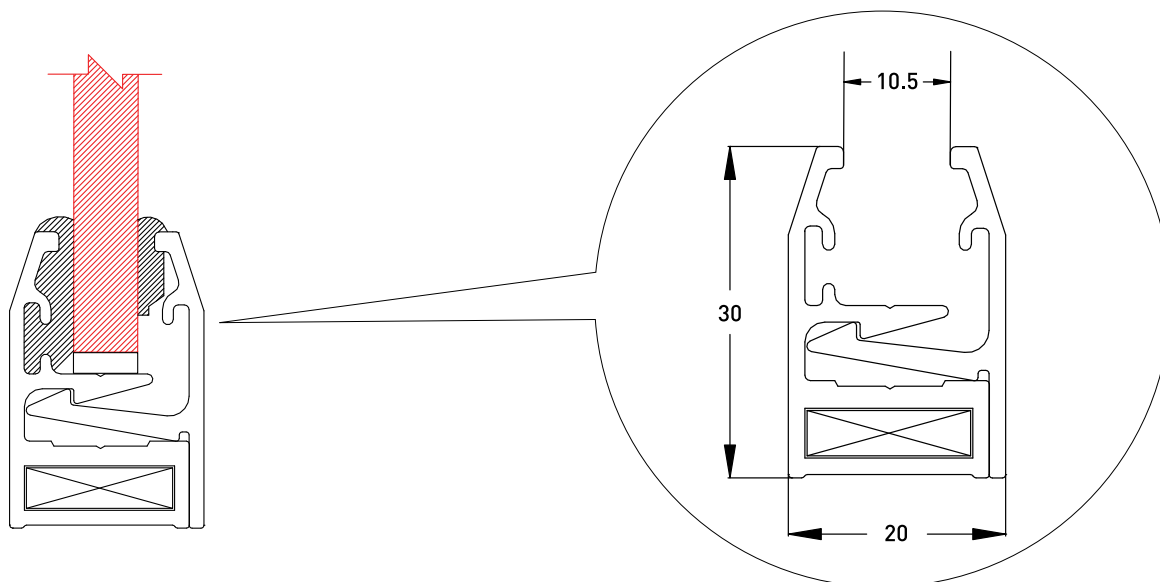
Matching EPDM Lock: **Glass 6mm: 500.279.005 / No other glass thickness**

Matching end cap: **No end cap available**

# SELF-LOCK LITE PRO

## SELF-LOCK LITE PRO – MILL FINISH

5.8M LENGTH - PART NO. 712.527.011



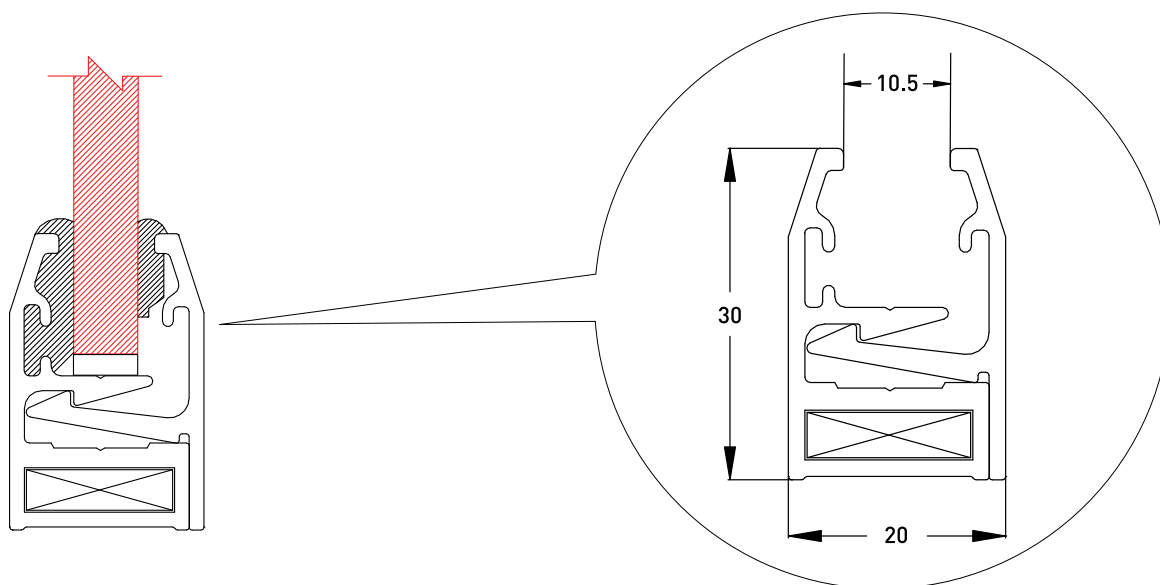
Matching EPDM Contour: **500.300.002**

Matching EPDM Lock: **Glass 6mm: 500.279.005 / No other glass thickness**

Matching end cap: **No end cap available**

## SELF-LOCK LITE PRO – ANODISED

5.8M LENGTH - PART NO. 712.527.012



Matching EPDM Contour: **500.300.002**

Matching EPDM Lock: **Glass 6mm: 500.279.005 / No other glass thickness**

Matching end cap: **No end cap available**

## **SELFLOCK LITE PRO APPLICATIONS:**

MIRROR & PHOTO FRAMES. INSTALLATION OF ACP (ALU COMPOSITE PANELS)  
PAINTED GLASS CLADDING ON KITCHEN, WARDROBES AND WALL PANELING



Self-Lock Lite Pro Partitions

## **SALES AND DISTRIBUTION**

**SELFLOCK SYSTEMS NV**  
Oude Desselgemstraat, 32  
B-8790 Waregem – Belgium – [www.selflocksistemas.com](http://www.selflocksistemas.com)